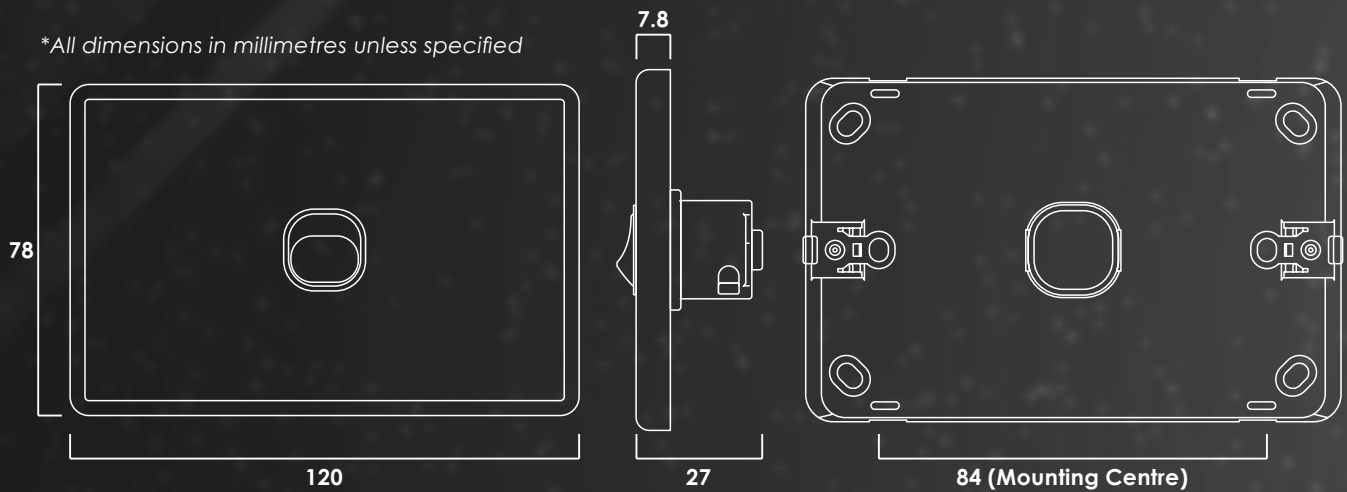




*All dimensions in millimetres unless specified



SPECIFICATIONS

Finish : Gloss
 Housing Material : Polycarbonate
 Contact Material : Silver
 Track Material : Copper
 Rated Voltage : 250 VAC
 Rated Current : 16A
 Connection Type : Screw Terminals

Switch Function : 1 way, 2 way
 Terminal Size : 2 x 2.5mm²
 Accommodates : 2 x 1.5mm²
 Compliance : AS 3133:2020
 Inc A1:2024
 AS/NZS 3100:2022
 Inc A1:2023



Elec present the following information in good faith and to the best of our current knowledge. In line with our commitment to continually improve our products, we reserve the right to change materials and specifications without notice. This data is provided on the condition that the user will make their own determination as to the product's suitability for their individual purpose, none of the following information is intended as a recommendation of product use. Elec is not responsible for damages resulting from the use or reliance upon the product or the related information in any event or of any nature.

SWITCH RANGE

Part Number	Description	Colour	Finish	Orientation
HSW-1GH	1 Gang, 2 Way Switch 16A	White	Gloss	Horizontal
HSW-1GSDP	1 Gang, Double Pole 10A - Separate	White	Gloss	Horizontal/Vertical
HSW-2GH	2 Gang, 2 Way Switch 16A	White	Gloss	Horizontal
HSW-3GH	3 Gang, 2 Way Switch 16A	White	Gloss	Horizontal
HSW-4GH	4 Gang, 2 Way Switch 16A	White	Gloss	Horizontal
HSW-5GH	5 Gang, 2 Way Switch 16A	White	Gloss	Horizontal
HSW-6GH	6 Gang, 2 Way Switch 16A	White	Gloss	Horizontal
HSW-1GV	1 Gang, 2 Way Switch 16A	White	Gloss	Vertical
HSW-2GV	2 Gang, 2 Way Switch 16A	White	Gloss	Vertical
HSW-3GV	3 Gang, 2 Way Switch 16A	White	Gloss	Vertical
HSW-4GV	4 Gang, 2 Way Switch 16A	White	Gloss	Vertical
HSW-5GV	5 Gang, 2 Way Switch 16A	White	Gloss	Vertical
HSW-6GV	6 Gang, 2 Way Switch 16A	White	Gloss	Vertical

*Face plates & grid plates are also available separately

*All components available separately (assembly required)

ELEC HOLE SAW

Part Number	Description
HSAW60	Hole Saw 60mm
HSAW63	Hole Saw 63mm

ELEC BRACKETS

Part Number	Description
PBBHP	Behind Plaster Bracket, Square Render
PBBHPS	Behind Plaster Bracket, Square Render 0.7mm
PBC	C Clip Bracket, Single Gang Wall Mount

ELEC MOUNTING BLOCKS

Part Number	Description
ESMB-S	18mm Mounting Block
ESMB-D	36mm Mounting Block