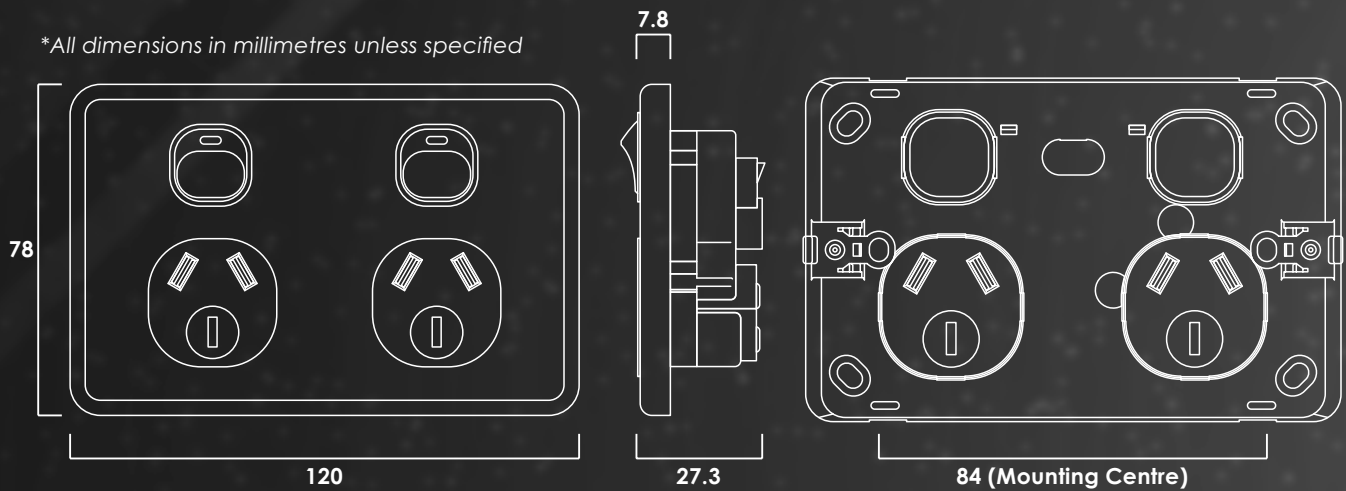




*All dimensions in millimetres unless specified



SPECIFICATIONS

Finish : Gloss
 Housing Material : Polycarbonate
 Contact Material : Silver
 Track Material : Copper
 Rated Voltage : 250 VAC
 Rated Current : 10A/15A
 Connection Type : x3 Screw Terminals

Number of Switching : 1 (Active Only)
 Poles (Per Socket)
 Terminal Size : 16mm²
 (accommodates 4 x 2.5mm² cables)
 Compliance : AS/NZS 3112:2017
 AS/NZS 3100:2022



Elec present the following information in good faith and to the best of our current knowledge. In line with our commitment to continually improve our products, we reserve the right to change materials and specifications without notice. This data is provided on the condition that the user will make their own determination as to the product's suitability for their individual purpose, none of the following information is intended as a recommendation of product use. Elec is not responsible for damages resulting from the use or reliance upon the product or the related information in any event or of any nature.

OUTLET RANGE

Part Number	Description	Colour	Finish
HOW-1G	Single Powerpoint 10A	White	Gloss
HOW-1G-15A	Single Powerpoint 15A	White	Gloss
HOW-1G-USB	Single Powerpoint 10A with USB A + A (5V/2.0A)	White	Gloss
HOW-1G-USBC	Single Powerpoint 10A with USB A & C (5V/2.0A)	White	Gloss
HOW-1G-X	Single Powerpoint 10A with Extra Switch	White	Gloss
HOW-2G	Double Powerpoint 10A	White	Gloss
HOW-2G-15A	Double Powerpoint 15A	White	Gloss
HOW-2G-USB	Double Powerpoint 10A with USB A + A (5V/2.0A)	White	Gloss
HOW-2G-USBC	Double Powerpoint 10A with USB A & C (5V/2.0A)	White	Gloss
HOW-2G-X	Double Powerpoint 10A with Extra Switch	White	Gloss

ELEC HOLE SAW

Part Number	Description
HSAW60	Hole Saw 60mm
HSAW63	Hole Saw 63mm

ELEC BRACKETS

Part Number	Description
PBBHP	Behind Plaster Bracket, Square Render
PBBHPS	Behind Plaster Bracket, Square Render 0.7mm
PBC	C Clip Bracket, Single Gang Wall Mount

ELEC MOUNTING BLOCKS

Part Number	Description
ESMB-S	18mm Mounting Block
ESMB-D	36mm Mounting Block



Elec present the following information in good faith and to the best of our current knowledge. In line with our commitment to continually improve our products, we reserve the right to change materials and specifications without notice. This data is provided on the condition that the user will make their own determination as to the product's suitability for their individual purpose, none of the following information is intended as a recommendation of product use. Elec is not responsible for damages resulting from the use or reliance upon the product or the related information in any event or of any nature.