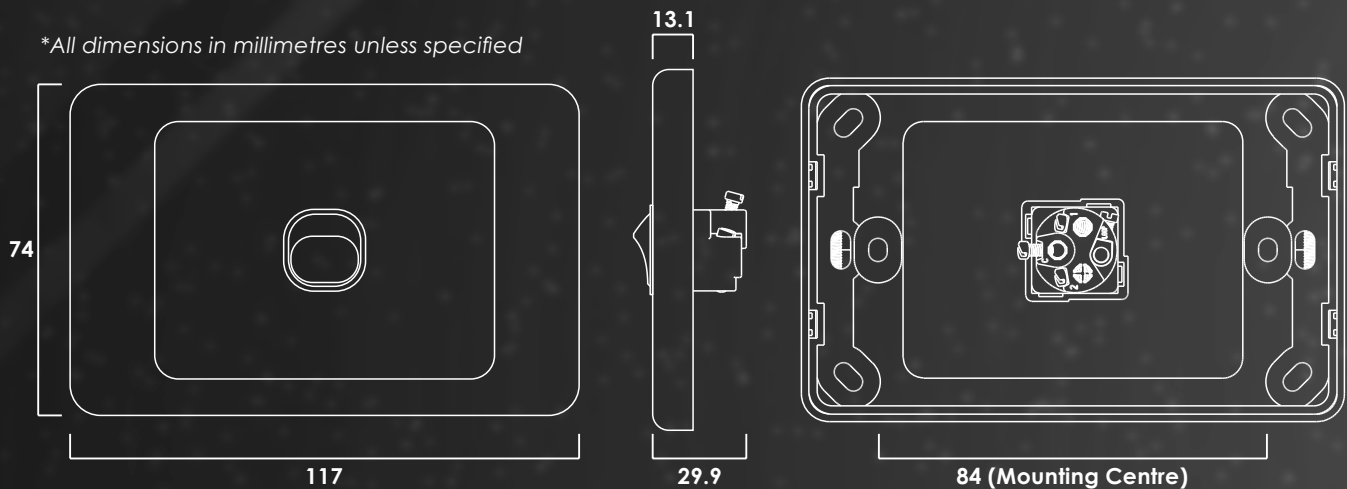




\*All dimensions in millimetres unless specified



## SPECIFICATIONS

Finish : Gloss  
 Housing Material : Polycarbonate  
 Contact Material : Silver  
 Track Material : Copper  
 Rated Voltage : 250 VAC  
 Rated Current : 16A  
 Connection Type : Screw Terminals

Switch Function : 1 way, 2 way  
 Terminal Size : 2 x 2.5mm<sup>2</sup>  
 Accommodates : 2 x 1.5mm<sup>2</sup>  
 Compliance : AS 3133:2020  
 Inc A1:2024  
 AS/NZS 3100:2022  
 Inc A1:2023



Elec present the following information in good faith and to the best of our current knowledge. In line with our commitment to continually improve our products, we reserve the right to change materials and specifications without notice. This data is provided on the condition that the user will make their own determination as to the product's suitability for their individual purpose, none of the following information is intended as a recommendation of product use. Elec is not responsible for damages resulting from the use or reliance upon the product or the related information in any event or of any nature.

## SWITCH RANGE

Part Number	Description	Colour	Finish	Orientation
ECSW-1G	1 Gang, 2 Way Switch 16A	White	Gloss	Horizontal
ECSW-1GDP	1 Gang, Double Pole Switch 10A	White	Gloss	Horizontal/Vertical
ECSW-2G	2 Gang, 2 Way Switch 16A	White	Gloss	Horizontal
ECSW-3G	3 Gang, 2 Way Switch 16A	White	Gloss	Horizontal
ECSW-4G	4 Gang, 2 Way Switch 16A	White	Gloss	Horizontal
ECSW-5G	5 Gang, 2 Way Switch 16A	White	Gloss	Horizontal
ECSW-6G	6 Gang, 2 Way Switch 16A	White	Gloss	Horizontal
ECSW-1GV	1 Gang, 2 Way Switch 16A	White	Gloss	Vertical
ECSW-2GV	2 Gang, 2 Way Switch 16A	White	Gloss	Vertical
ECSW-3GV	3 Gang, 2 Way Switch 16A	White	Gloss	Vertical
ECSW-4GV	4 Gang, 2 Way Switch 16A	White	Gloss	Vertical
ECSW-5GV	5 Gang, 2 Way Switch 16A	White	Gloss	Vertical
ECSW-6GV	6 Gang, 2 Way Switch 16A	White	Gloss	Vertical

\*Face plates & grid plates are also available separately

\*All components available separately (assembly required)

## ELEC HOLE SAW

Part Number	Description
HSAW60	Hole Saw 60mm
HSAW63	Hole Saw 63mm

## ELEC BRACKETS

Part Number	Description
PBBHP	Behind Plaster Bracket, Square Render
PBBHPS	Behind Plaster Bracket, Square Render 0.7mm
PBC	C Clip Bracket, Single Gang Wall Mount

## ELEC MOUNTING BLOCKS

Part Number	Description
ECSMB-S	18mm Mounting Block
ECSMB-D	36mm Mounting Block