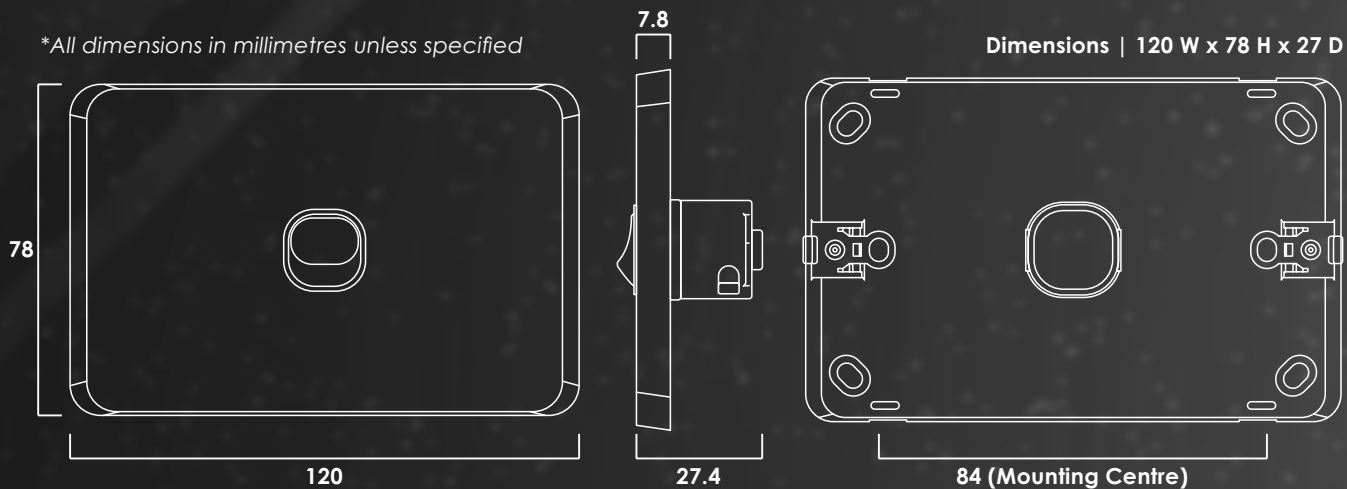




\*All dimensions in millimetres unless specified

Dimensions | 120 W x 78 H x 27 D



## SPECIFICATIONS

Finish	: Gloss	Switch Function	: 1 way, 2 way
Housing Material	: Polycarbonate	Terminal Size	: 2 x 2.5mm <sup>2</sup>
Contact Material	: Silver	Accommodates	: 2 x 1.5mm <sup>2</sup>
Track Material	: Copper	Compliance	: AS 3133:2020
Rated Voltage	: 250 VAC		Inc A1:2024
Rated Current	: 16A		AS/NZS 3100:2022
Connection Type	: Screw Terminals		Inc A1:2023

## SWITCH RANGE

Part Number	Description	Colour	Finish	Orientation
ESW-1GH	1 Gang, 2 Way Switch 16A	White	Gloss	Horizontal
ESW-1GSDP	1 Gang, Double Pole 10A - Separate	White	Gloss	Horizontal/Vertical
ESW-2GH	2 Gang, 2 Way Switch 16A	White	Gloss	Horizontal
ESW-3GH	3 Gang, 2 Way Switch 16A	White	Gloss	Horizontal
ESW-4GH	4 Gang, 2 Way Switch 16A	White	Gloss	Horizontal
ESW-5GH	5 Gang, 2 Way Switch 16A	White	Gloss	Horizontal
ESW-6GH	6 Gang, 2 Way Switch 16A	White	Gloss	Horizontal
ESW-1GV	1 Gang, 2 Way Switch 16A	White	Gloss	Vertical
ESW-2GV	2 Gang, 2 Way Switch 16A	White	Gloss	Vertical
ESW-3GV	3 Gang, 2 Way Switch 16A	White	Gloss	Vertical
ESW-4GV	4 Gang, 2 Way Switch 16A	White	Gloss	Vertical
ESW-5GV	5 Gang, 2 Way Switch 16A	White	Gloss	Vertical
ESW-6GV	6 Gang, 2 Way Switch 16A	White	Gloss	Vertical

\*Face plates & grid plates are also available separately

\*All components available separately (assembly required)

## ELEC HOLE SAW

Part Number	Description
HSAW60	Hole Saw 60mm
HSAW63	Hole Saw 63mm

## ELEC BRACKETS

Part Number	Description
PBBHP	Behind Plaster Bracket, Square Render
PBBHPS	Behind Plaster Bracket, Square Render 0.7mm
PBC	C Clip Bracket, Single Gang Wall Mount

## ELEC MOUNTING BLOCKS

Part Number	Description
ESMB-S	18mm Mounting Block
ESMB-D	36mm Mounting Block