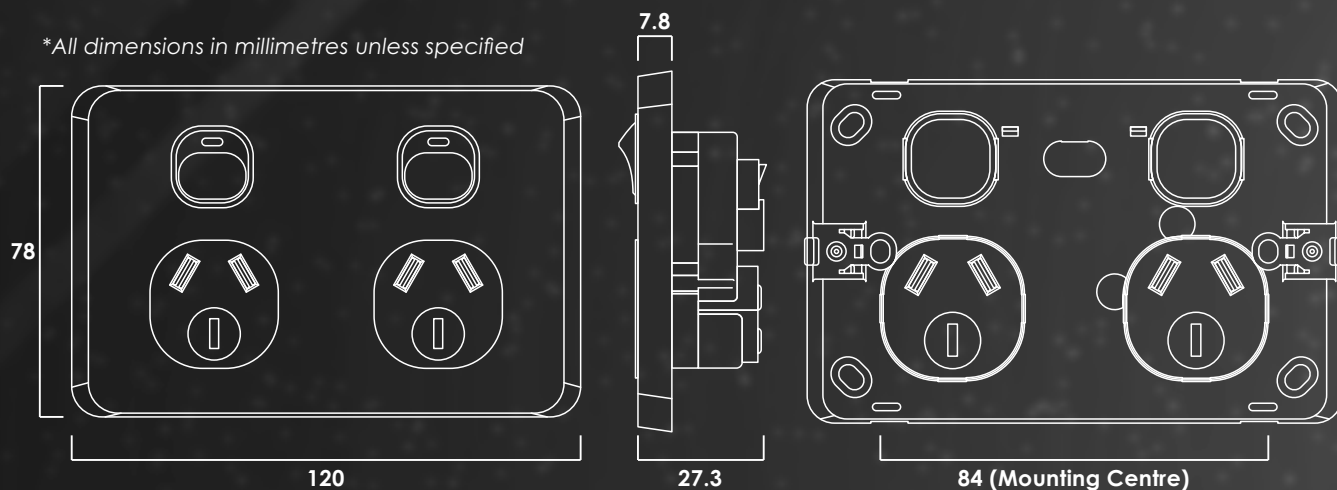


\*All dimensions in millimetres unless specified



## SPECIFICATIONS

Finish	: Gloss	Number of Switching	: 1 (Active Only)
Housing Material	: Polycarbonate	Poles (Per Socket)	
Contact Material	: Silver	Terminal Size	: 16mm <sup>2</sup>
Track Material	: Copper		(accommodates
Rated Voltage	: 250 VAC		4 x 2.5mm <sup>2</sup> cables)
Rated Current	: 10A/15A	Compliance	: AS/NZS 3112:2017
Connection Type	: x3 Screw Terminals		AS/NZS 3100:2022

## OUTLET RANGE

Part Number	Description	Colour	Finish
EOW-1G	Single Powerpoint 10A	White	Gloss
EOW-1G-15A	Single Powerpoint 15A	White	Gloss
EOW-1G-USB	Single Powerpoint 10A with USB A + A (5V/2.0A)	White	Gloss
EOW-1G-USBC	Single Powerpoint 10A with USB A & C (5V/2.0A)	White	Gloss
EOW-1G-X	Single Powerpoint 10A with Extra Switch	White	Gloss
EOW-2G	Double Powerpoint 10A	White	Gloss
EOW-2G-15A	Double Powerpoint 15A	White	Gloss
EOW-2G-USB	Double Powerpoint 10A with USB A + A (5V/2.0A)	White	Gloss
EOW-2G-USBC	Double Powerpoint 10A with USB A & C (5V/2.0A)	White	Gloss
EOW-2G-X	Double Powerpoint 10A with Extra Switch	White	Gloss

## ELEC HOLE SAW

Part Number	Description
HSAW60	Hole Saw 60mm
HSAW63	Hole Saw 63mm

## ELEC BRACKETS

Part Number	Description
PBBHP	Behind Plaster Bracket, Square Render
PBBHPS	Behind Plaster Bracket, Square Render 0.7mm
PBC	C Clip Bracket, Single Gang Wall Mount

## ELEC MOUNTING BLOCKS

Part Number	Description
ESMB-S	18mm Mounting Block
ESMB-D	36mm Mounting Block